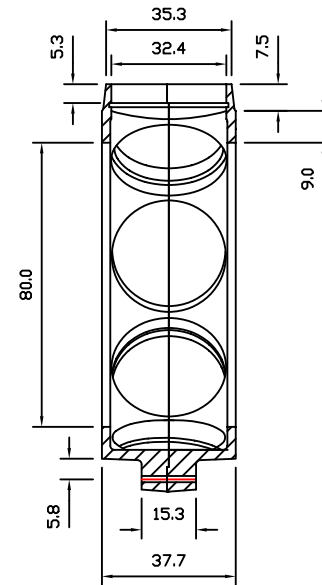
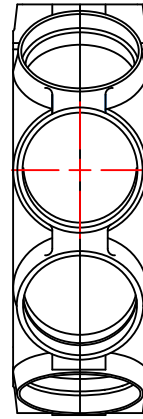
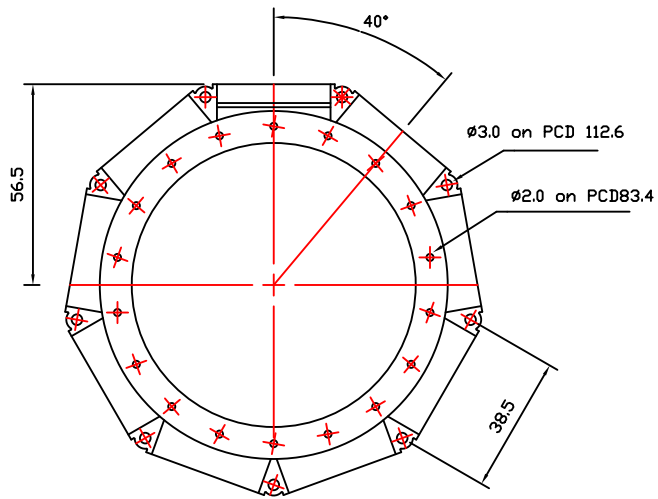
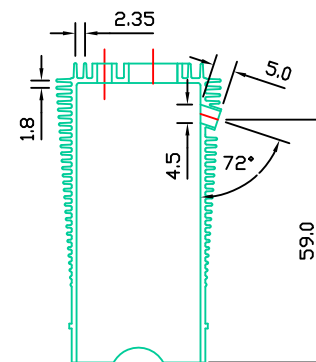
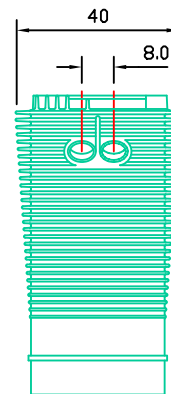
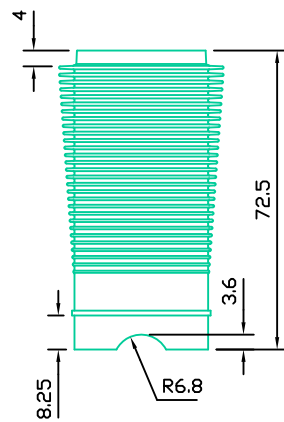
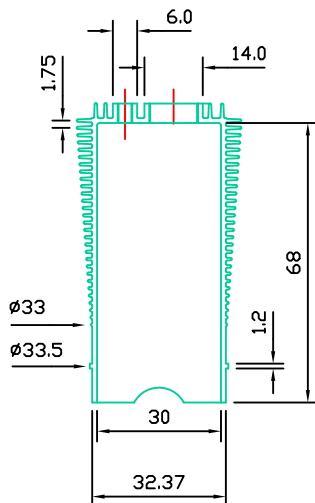
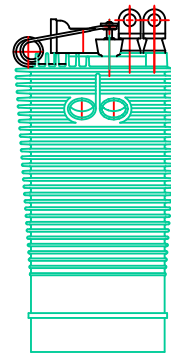
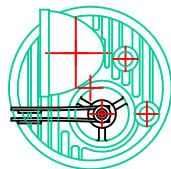
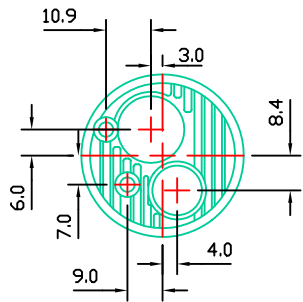


Title	Clerget
Drawn	Brian Dolby



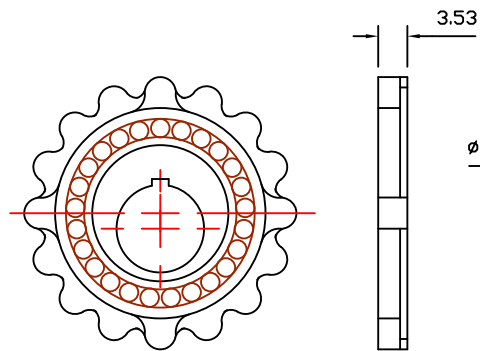
Crankcase

Title	Clerget
Drawn	Brian Dolby

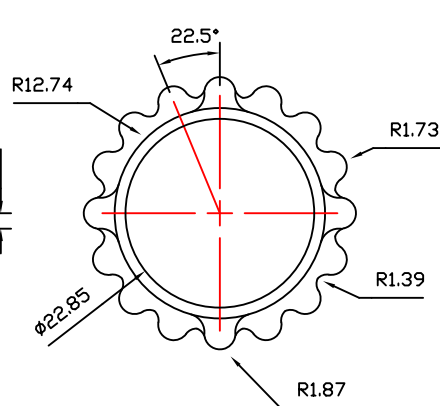
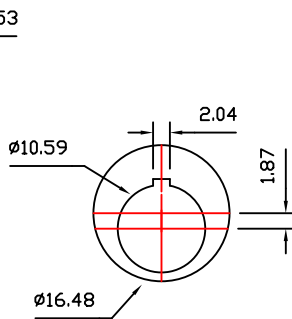


Cylinder barrel

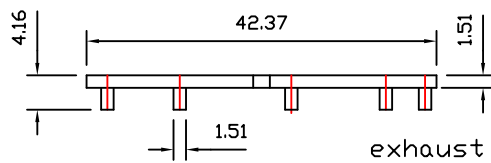
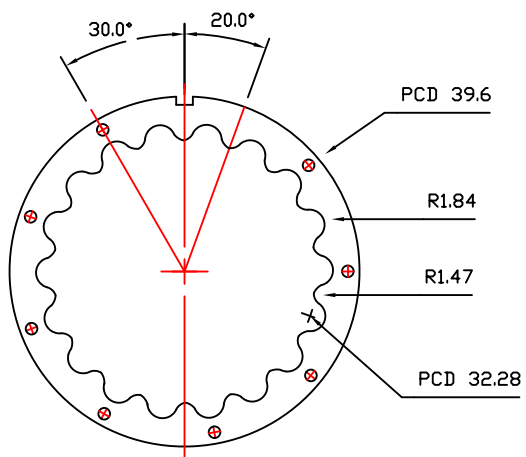
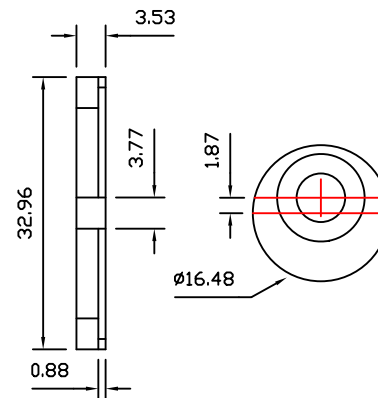
Title	Clerget
Drawn	Brian Dolby



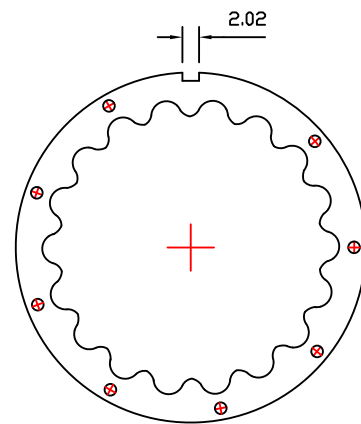
exhaust cam



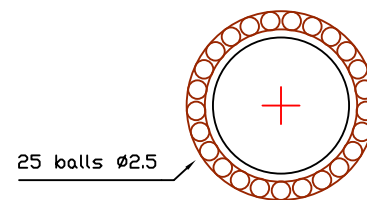
inlet cam



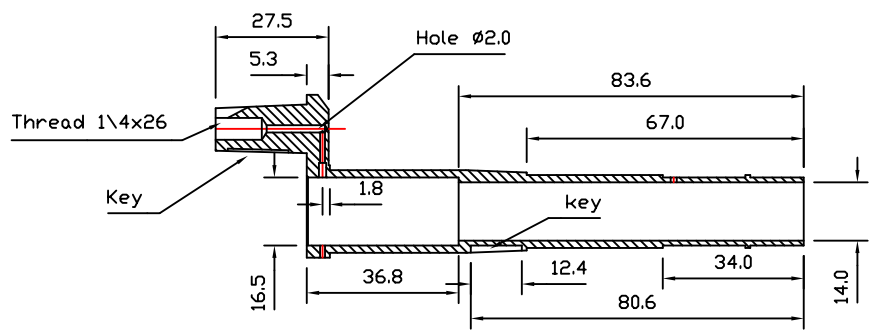
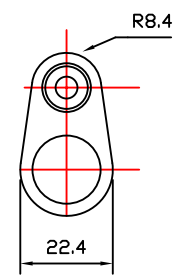
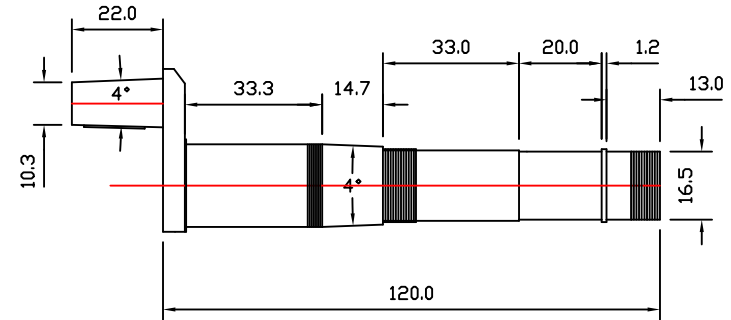
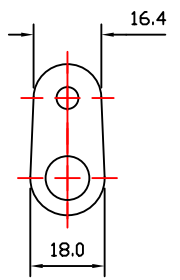
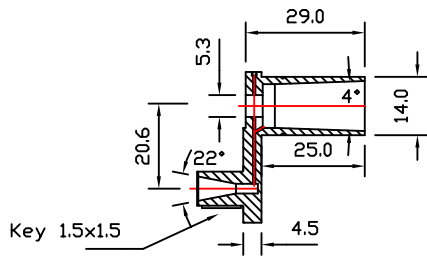
exhaust gear ring



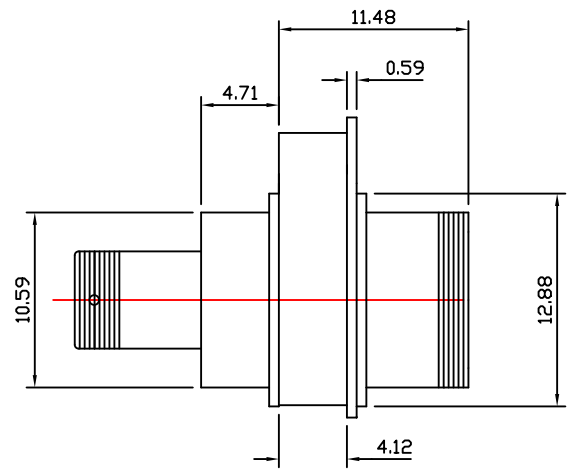
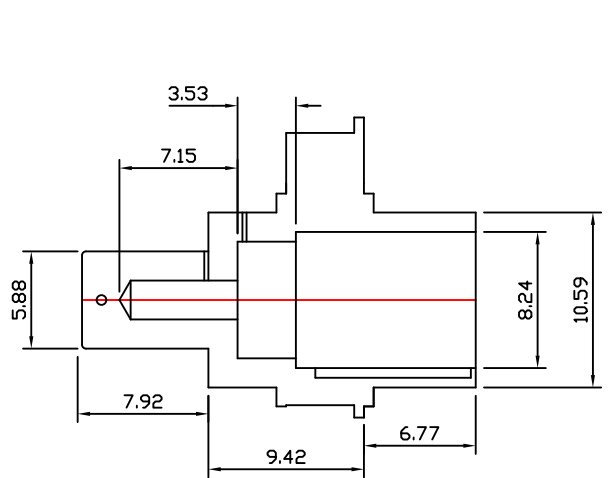
inlet gear ring



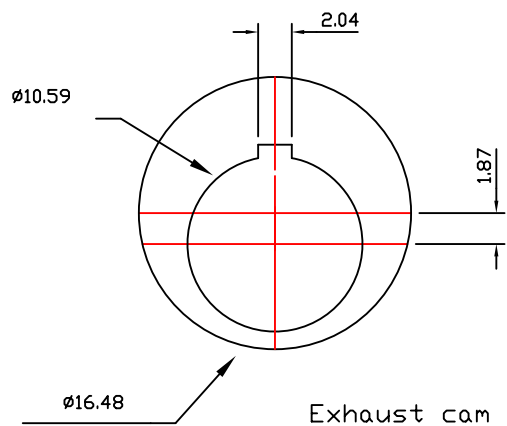
Title	Clerget
Drawn	Brian Dolby



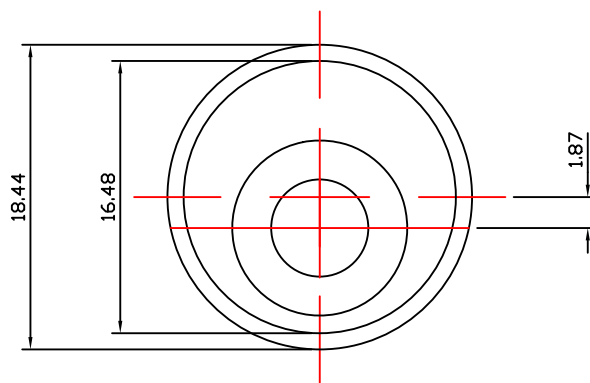
Title	Clerget
Drawn	Brian Dolby



Extention shaft

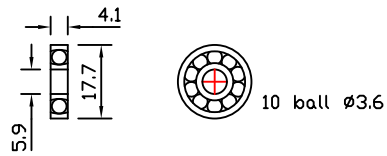


Exhaust cam

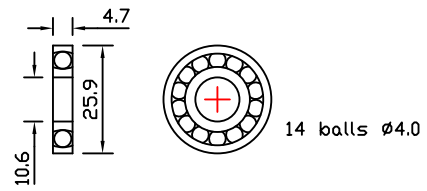


Inlet cam

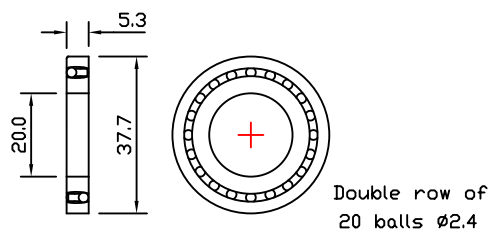
Title	Clerget
Drawn	Brian Dolby



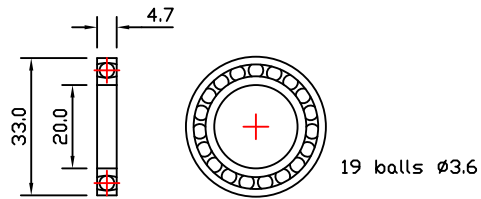
Extention shaft front bearing



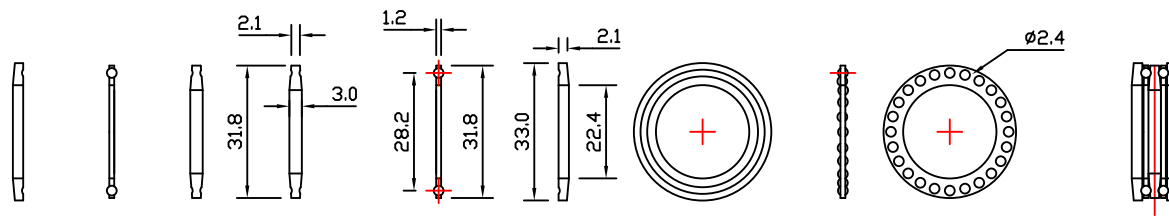
Extension shaft rear bearing



Front main bearing

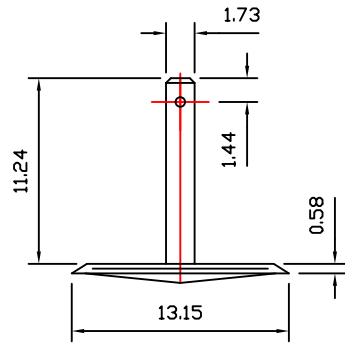


Rear main bearing

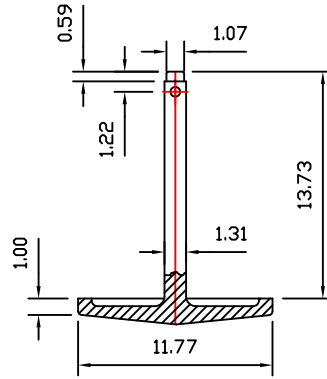


Thrust bearing

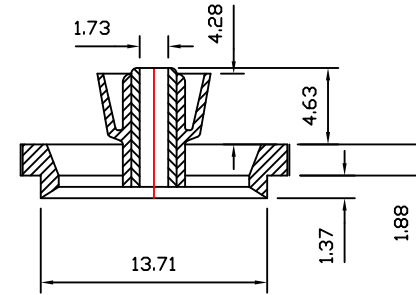
Title	Clerget
Drawn	Brian Dolby



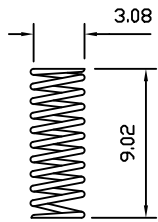
exhaust valve



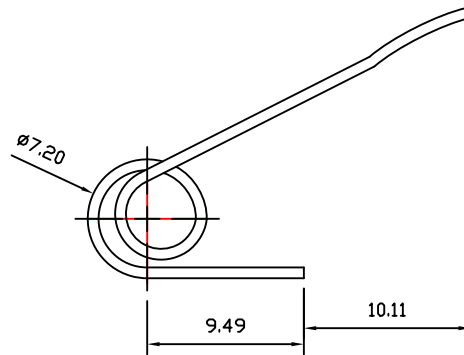
inlet valve



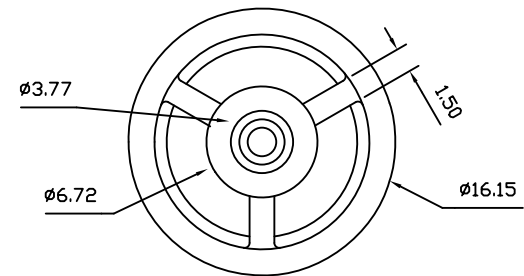
exhaust valve seat including valve guide



inlet valve spring

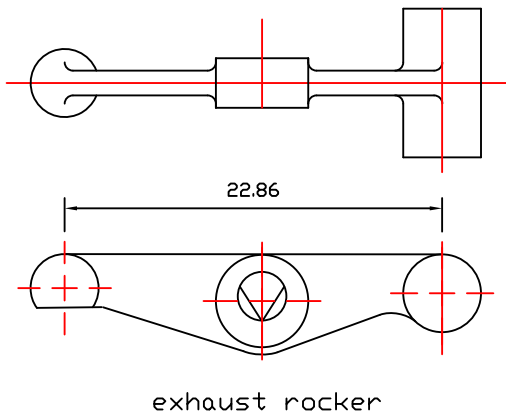
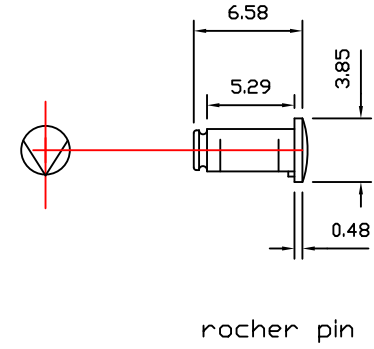
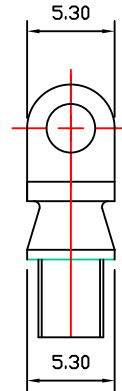
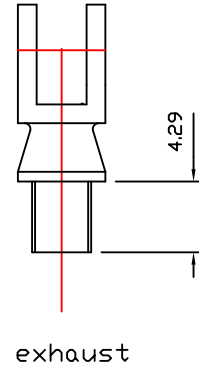
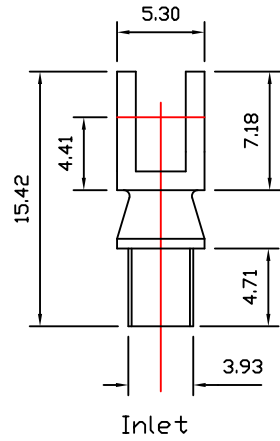


exhaust valve spring

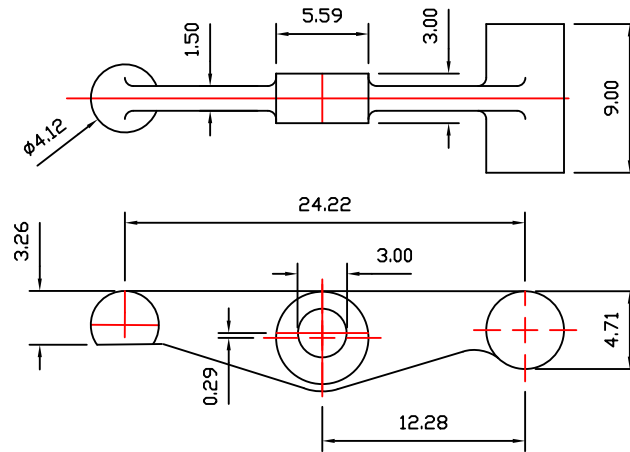


Title	Clerget
Drawn	Brian Dolby

Rocker posts



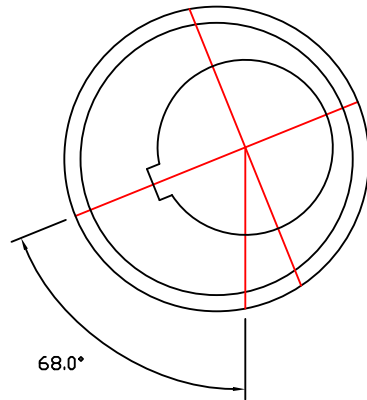
exhaust rocker



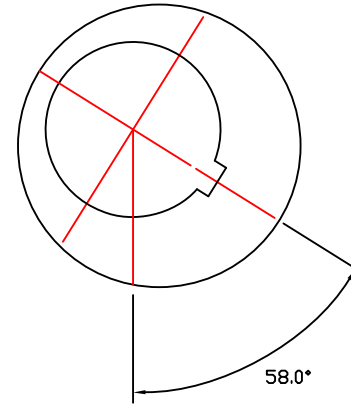
Inlet rocker

All other dimension same as Inlet rocker

Title	Clerget
Drawn	Brian Dolby



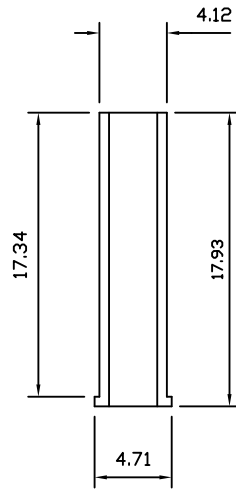
Inlet cam



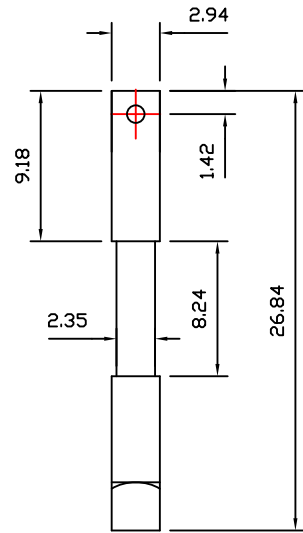
exhaust cam

Valve Timing INO 5° BTDC
 INC 58° ABDC
 EXO 68° BBDC
 EXC 5° ATDC

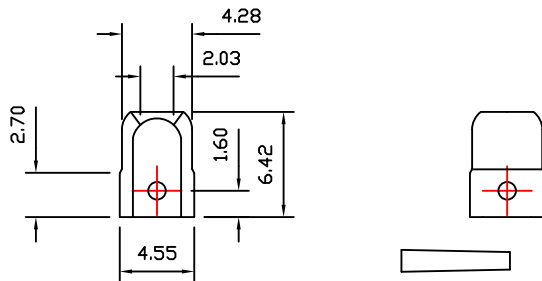
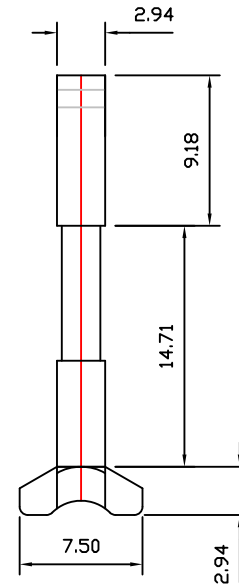
Title	Clerget
Drawn	Brian Dolby



inlet tappet guide



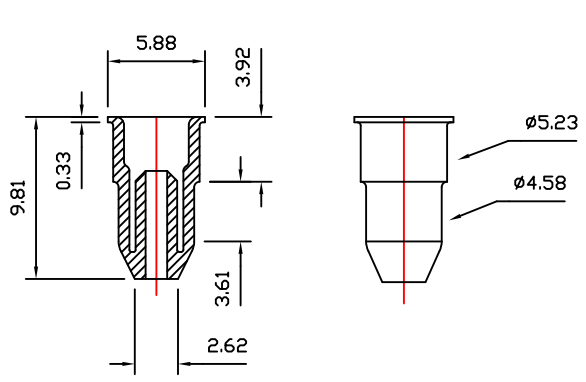
inlet cam follower



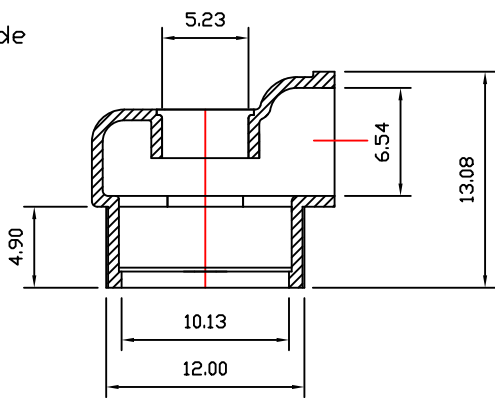
pushrod ball cap

Drawings not to scale

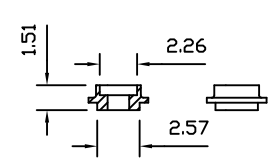
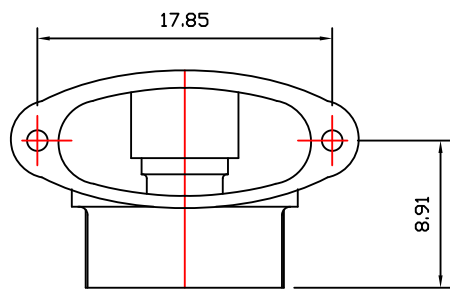
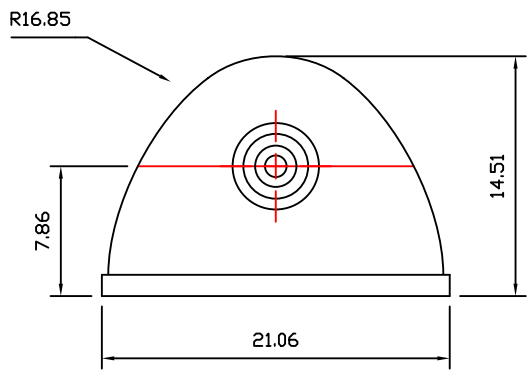
Title	Clerget
Drawn	Brian Dolby



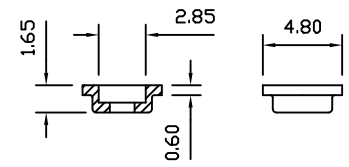
Valve guide



Inlet valve seat

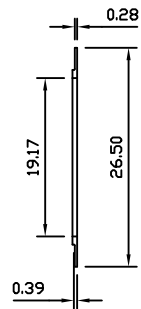
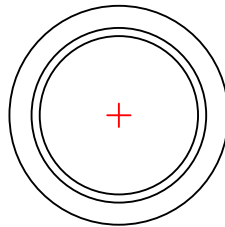
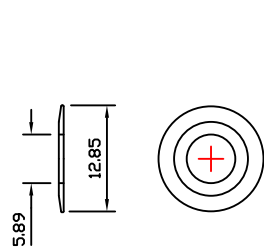


inlet valve cap

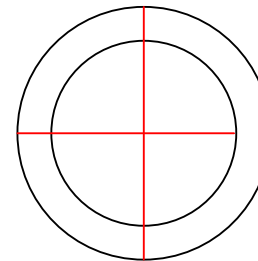
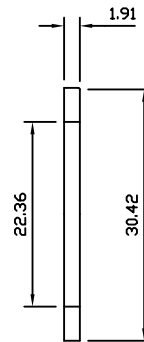


Exhaust valve cap

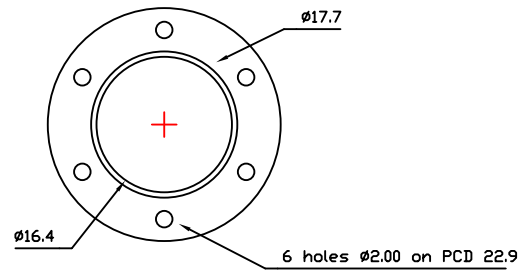
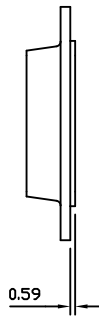
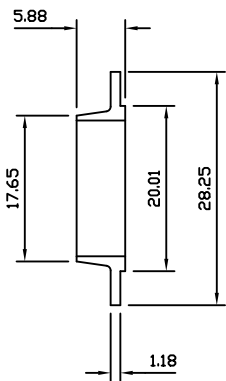
Title	Clerget
Drawn	Brian Dolby



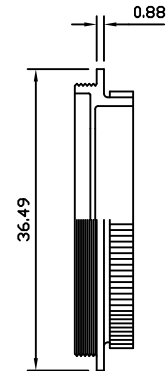
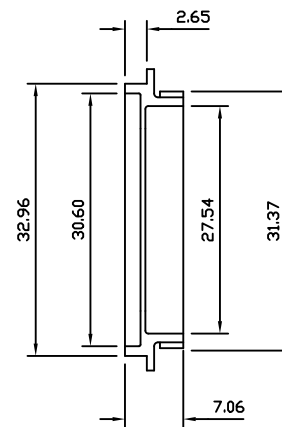
Rear oil retaining washer



leather washer

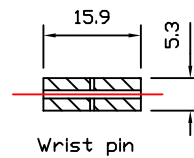
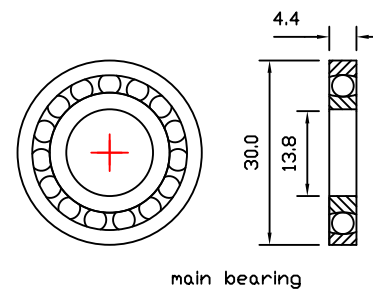
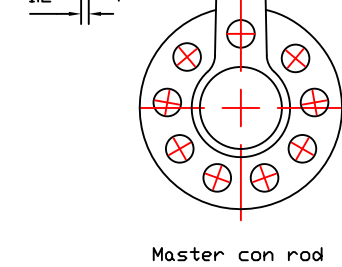
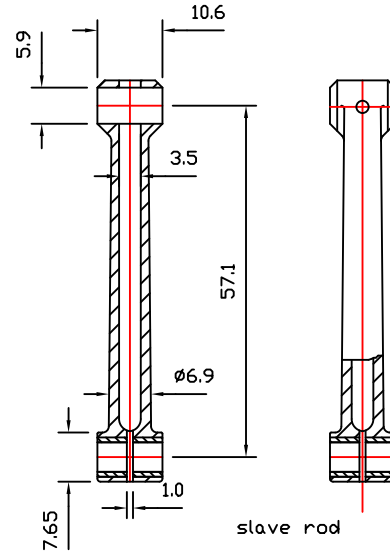
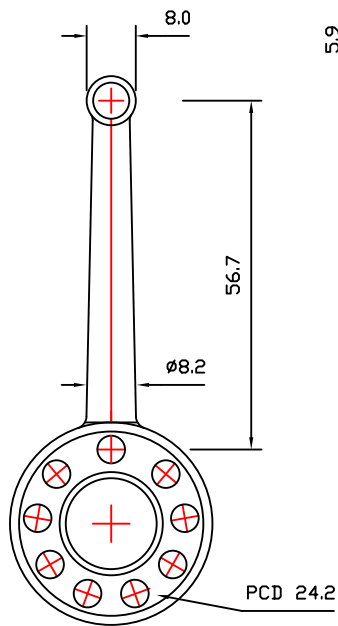
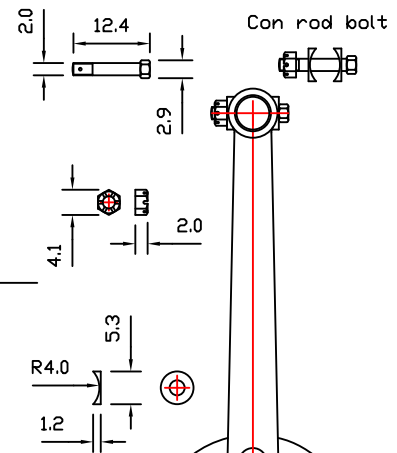
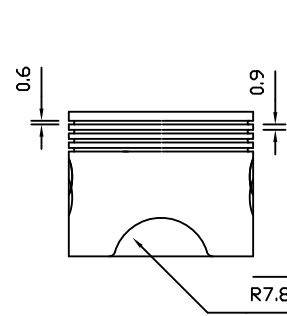
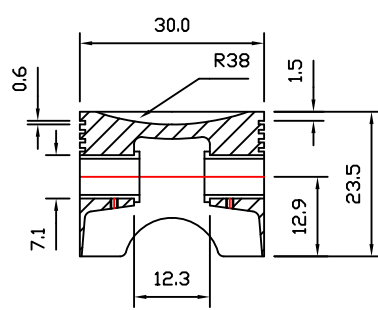
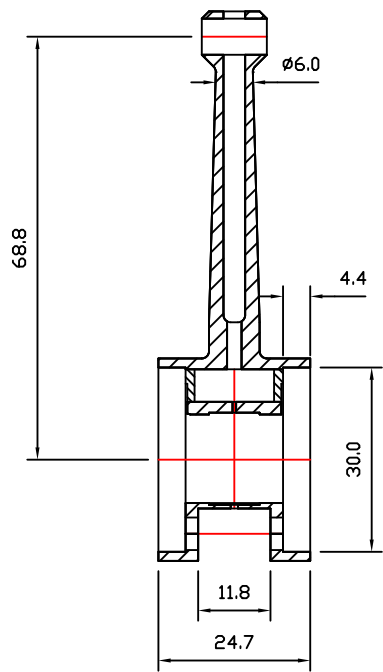
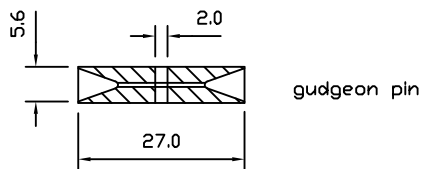
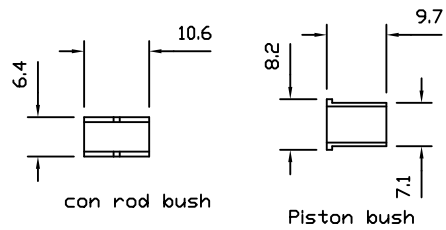


Rear support

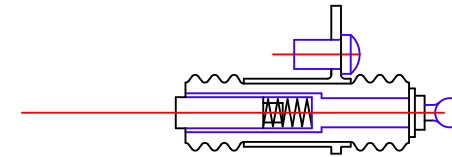
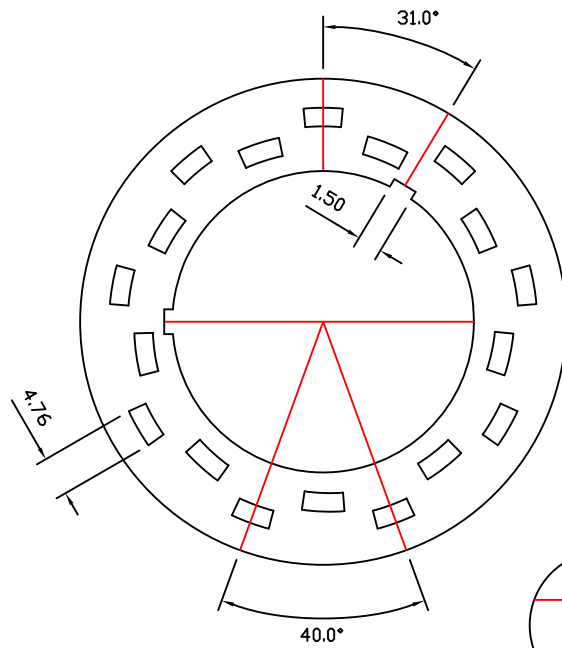
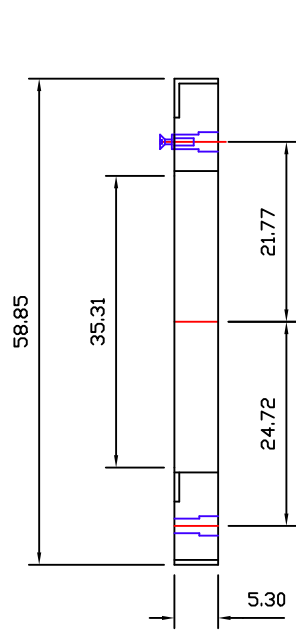


main driving wheel

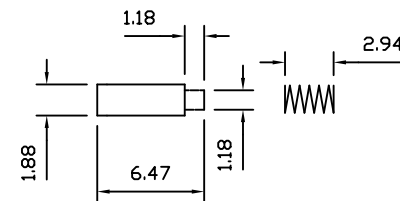
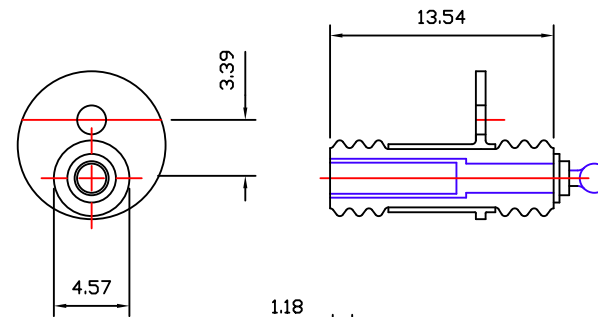
Title	Clerget
Drawn	Brian Dolby



Title	Clerget
Drawn	Brian Dolby



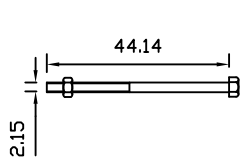
Brush Holder



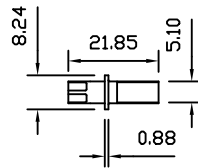
Distributor

Drawings not to scale

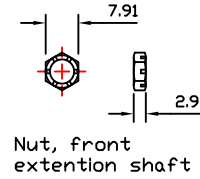
Title	Clerget
Drawn	Brian Dolby



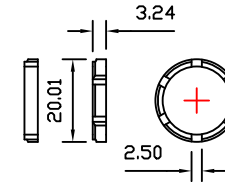
air screw hub bolt



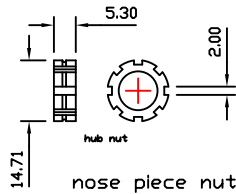
maneton to crankshaft screw



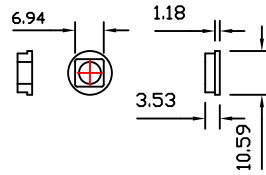
Nut, front extension shaft



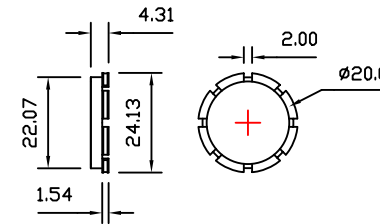
Nut, rear support to crankshaft



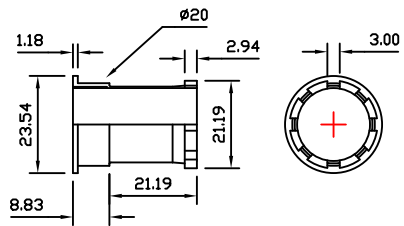
nose piece nut



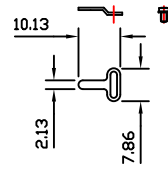
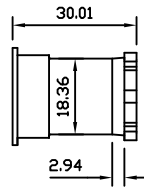
maneton to crankshaft nut



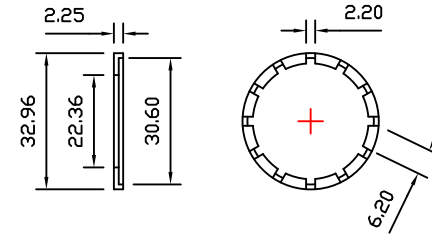
crankshaft to thrust nut



coupling nut

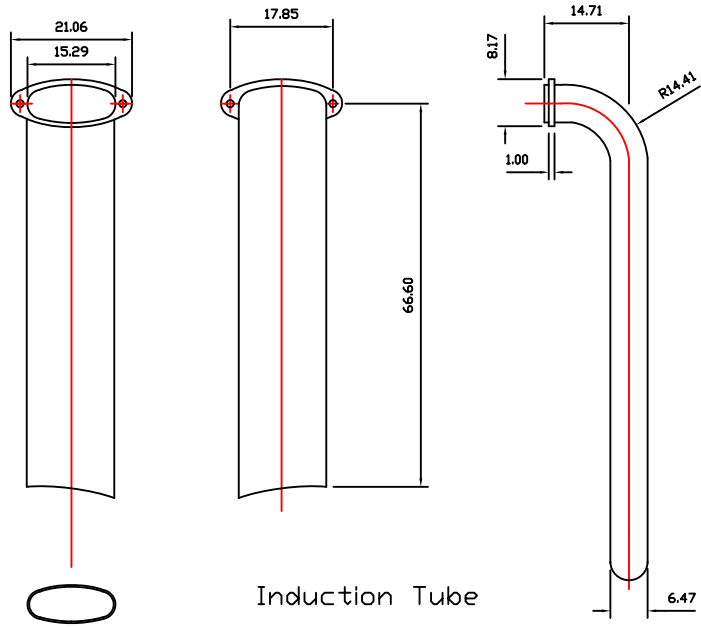


Stop, crank coupling nut

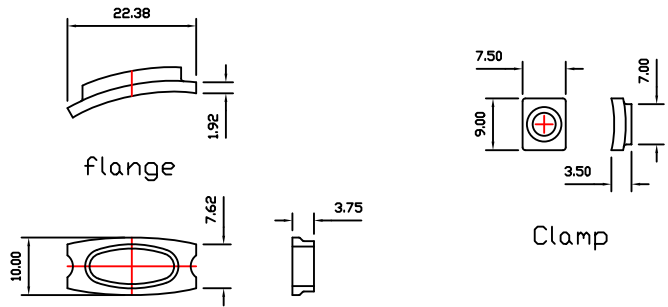


Nut thrust to rear drum

Title	Clerget
Drawn	Brian Dolby



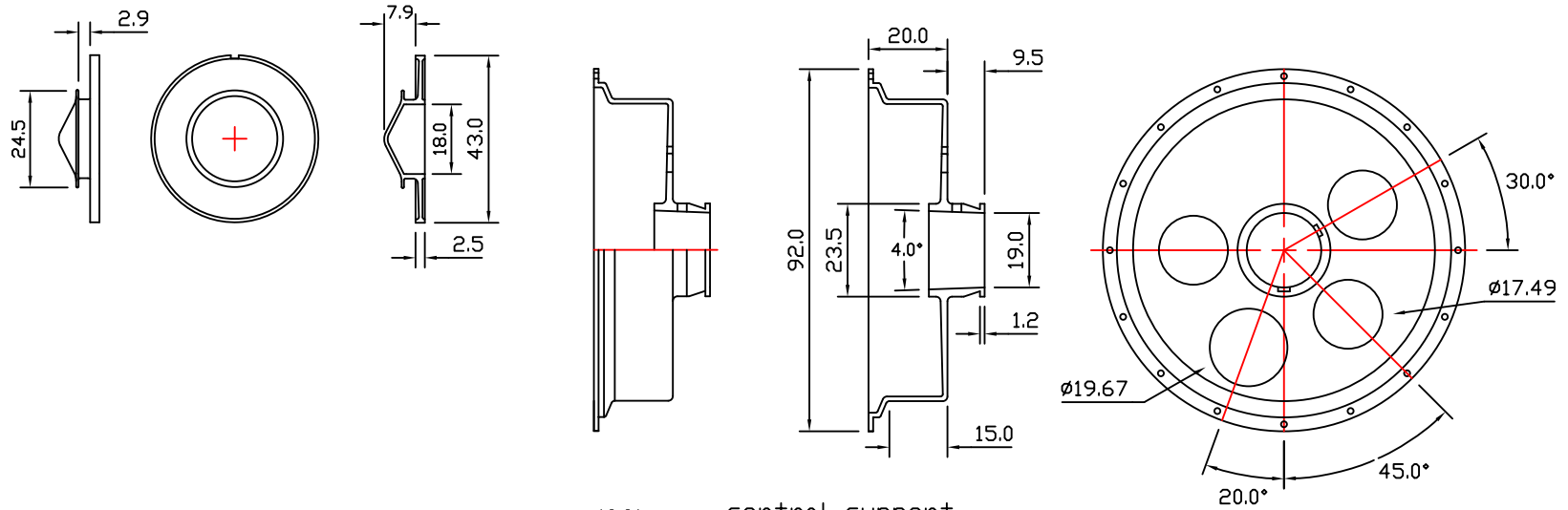
Induction Tube



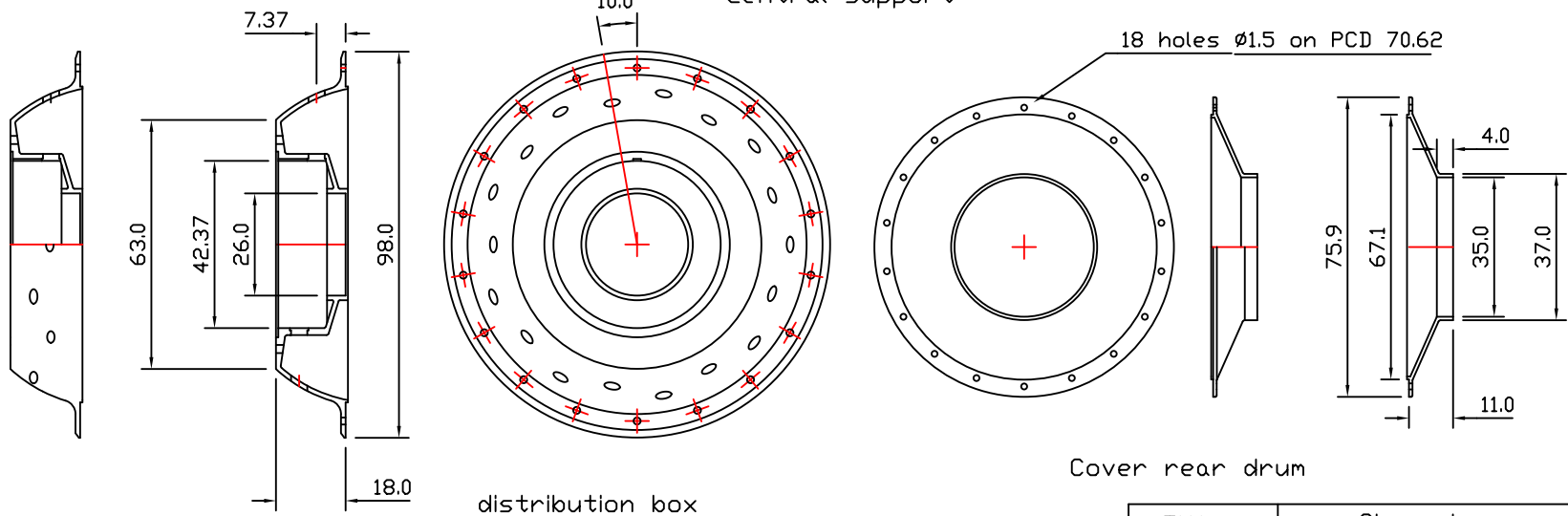
flange

Clamp

Title	Clerget
Drawn	Brian Dolby



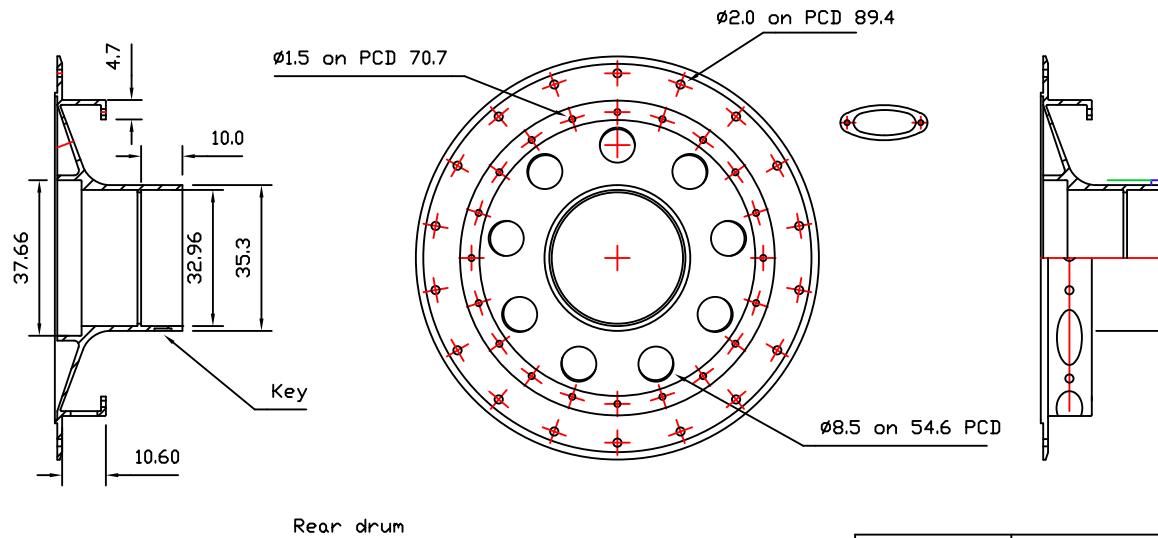
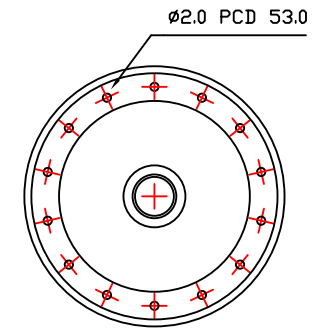
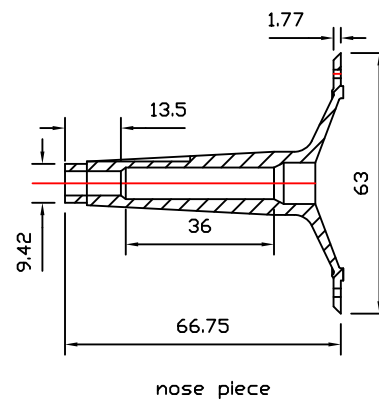
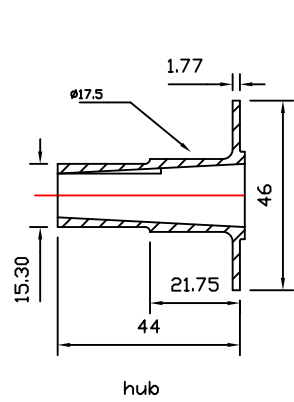
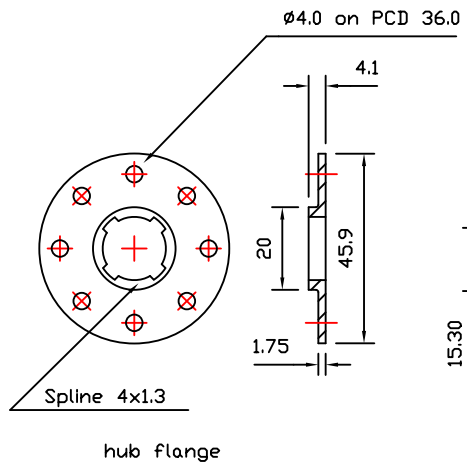
central support



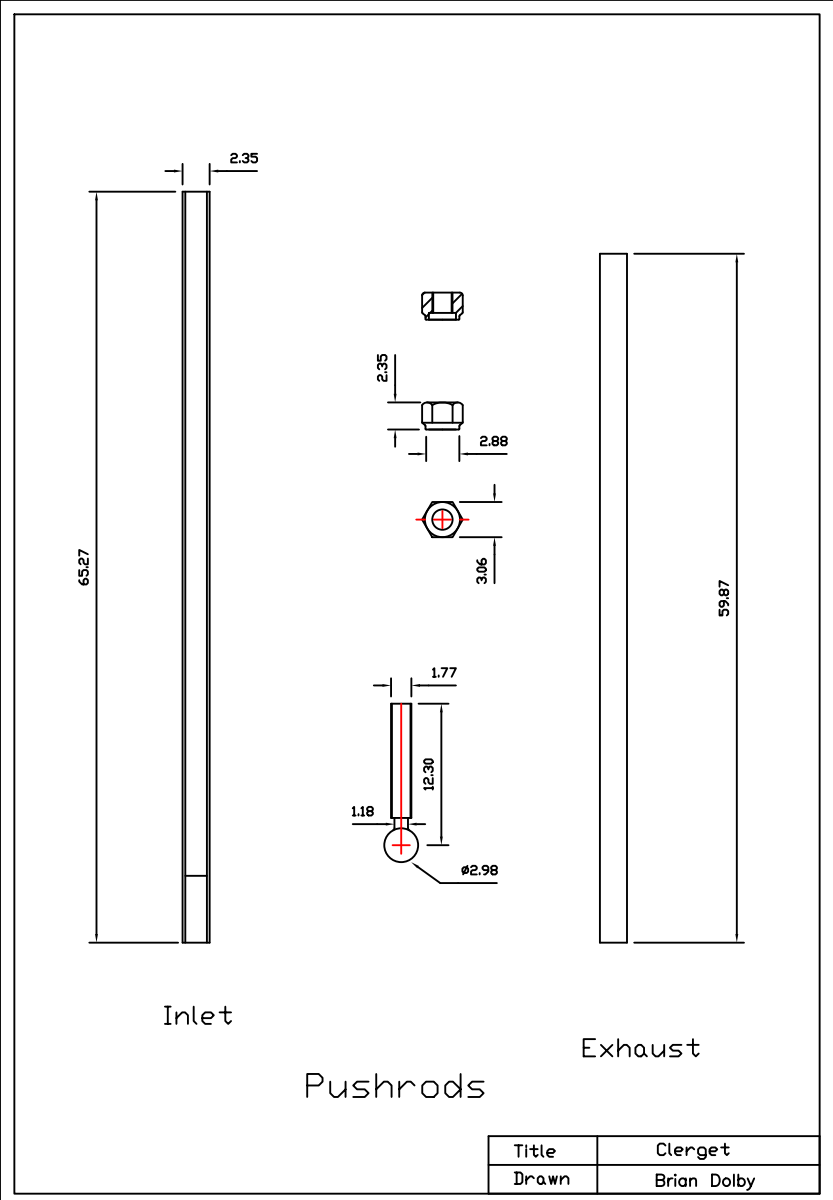
distribution box

Cover rear drum

Title	Clerget
Drawn	Brian Dolby



Title	Clerget
Drawn	Brian Dolby

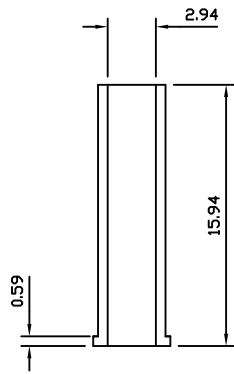


Inlet

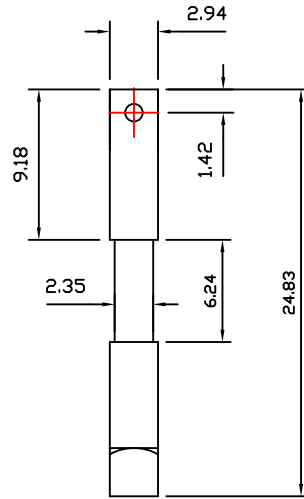
Exhaust

Pushrods

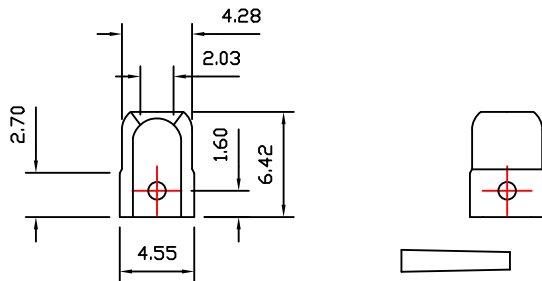
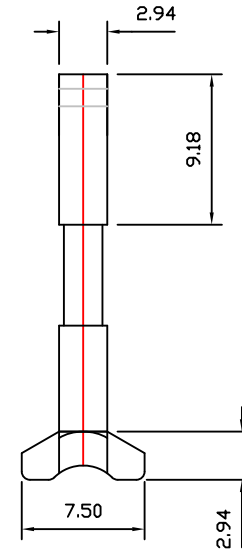
Title	Clerget
Drawn	Brian Dolby



exhaust tappet guide



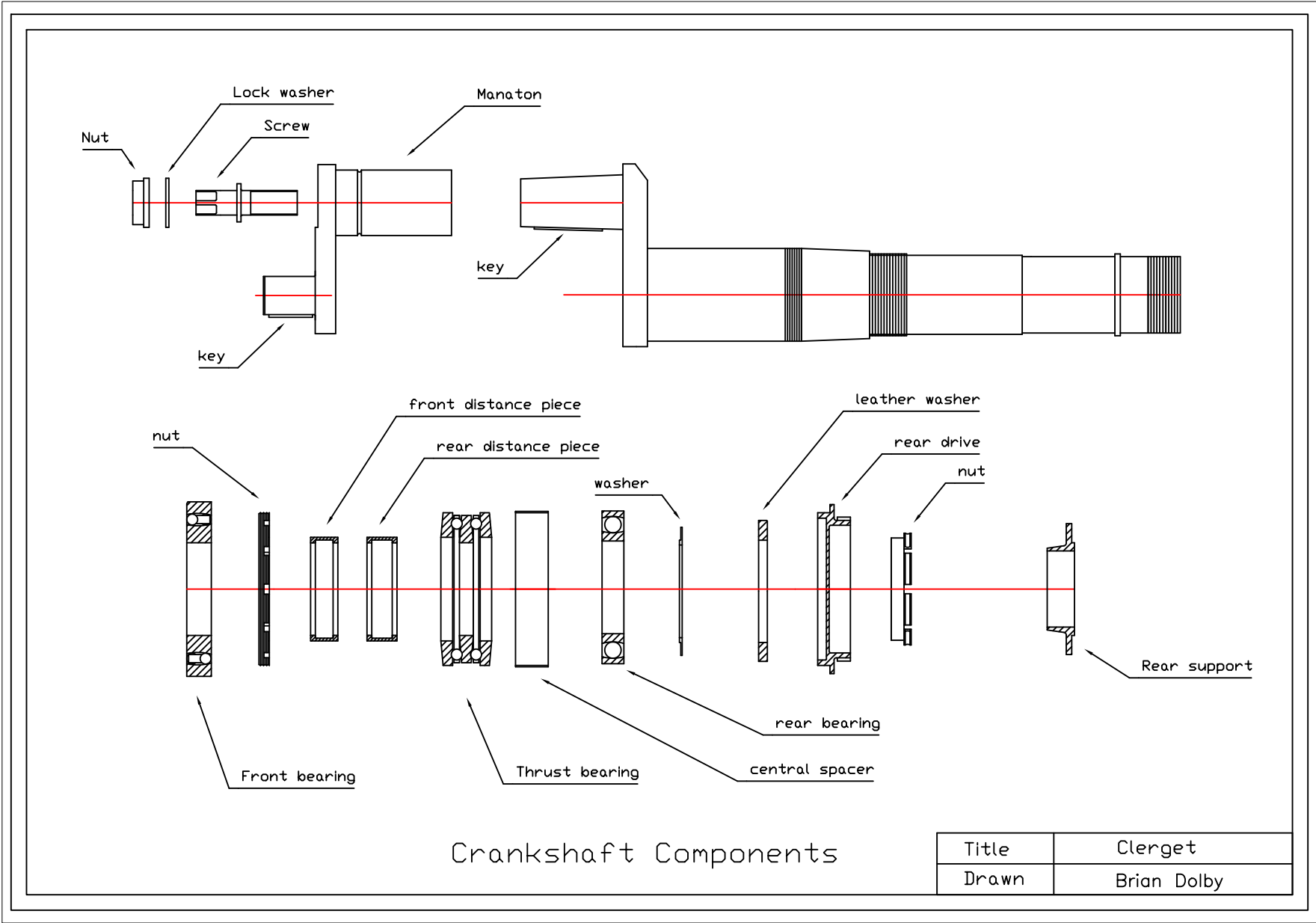
exhaust cam follower



pushrod ball cap

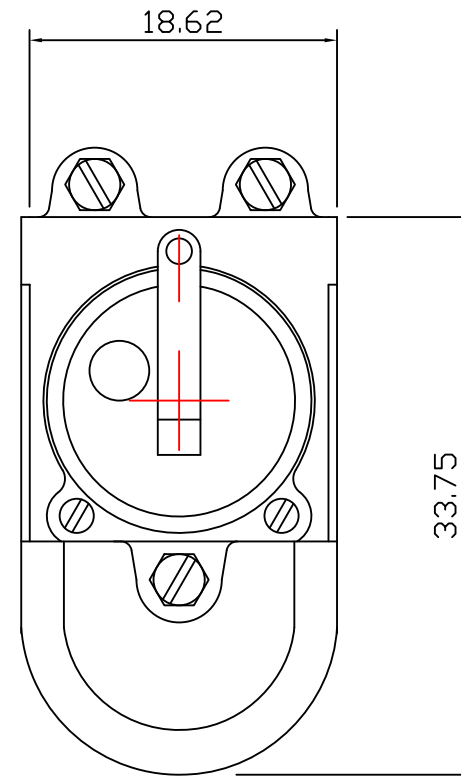
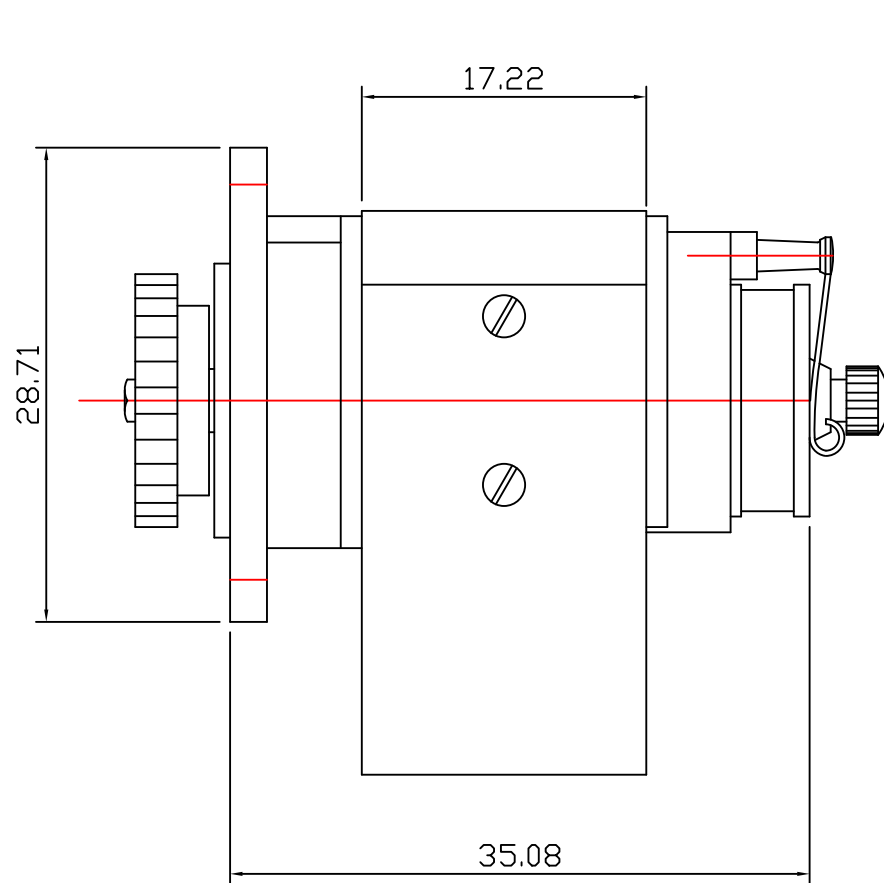
Drawings not to scale

Title	Clerget
Drawn	Brian Dolby



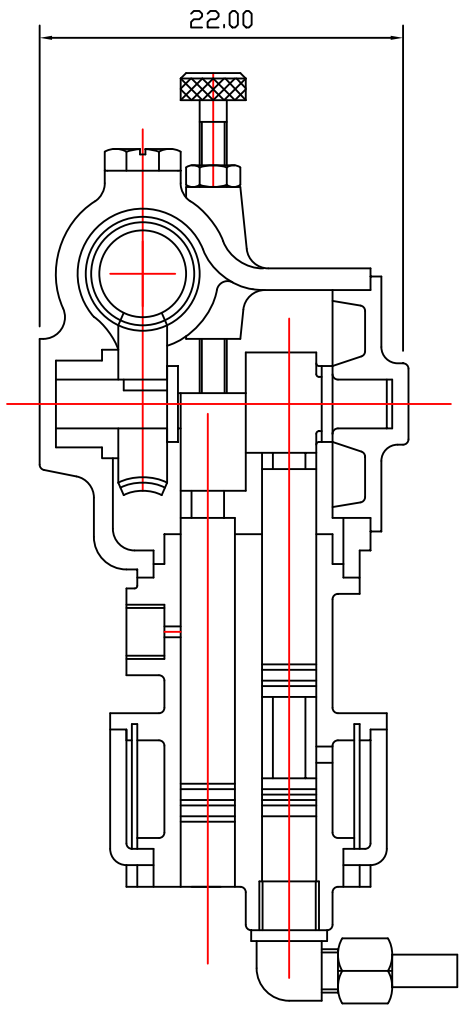
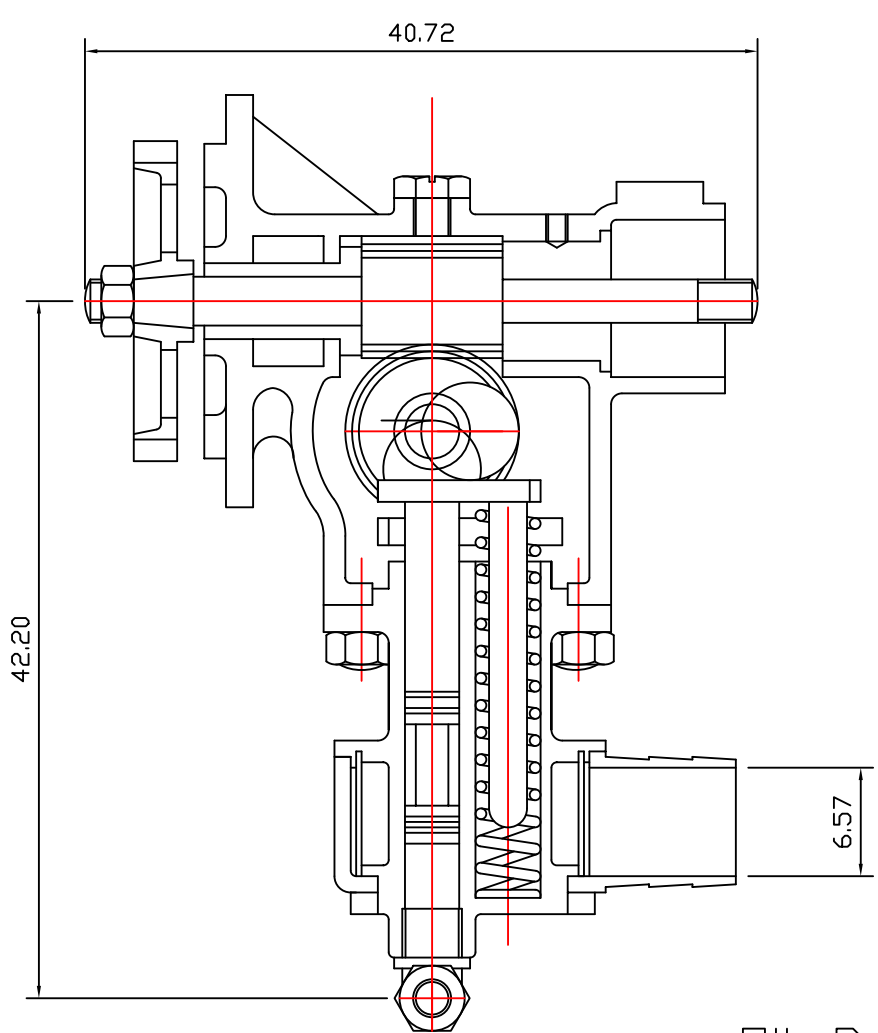
Crankshaft Components

Title	Clerget
Drawn	Brian Dolby

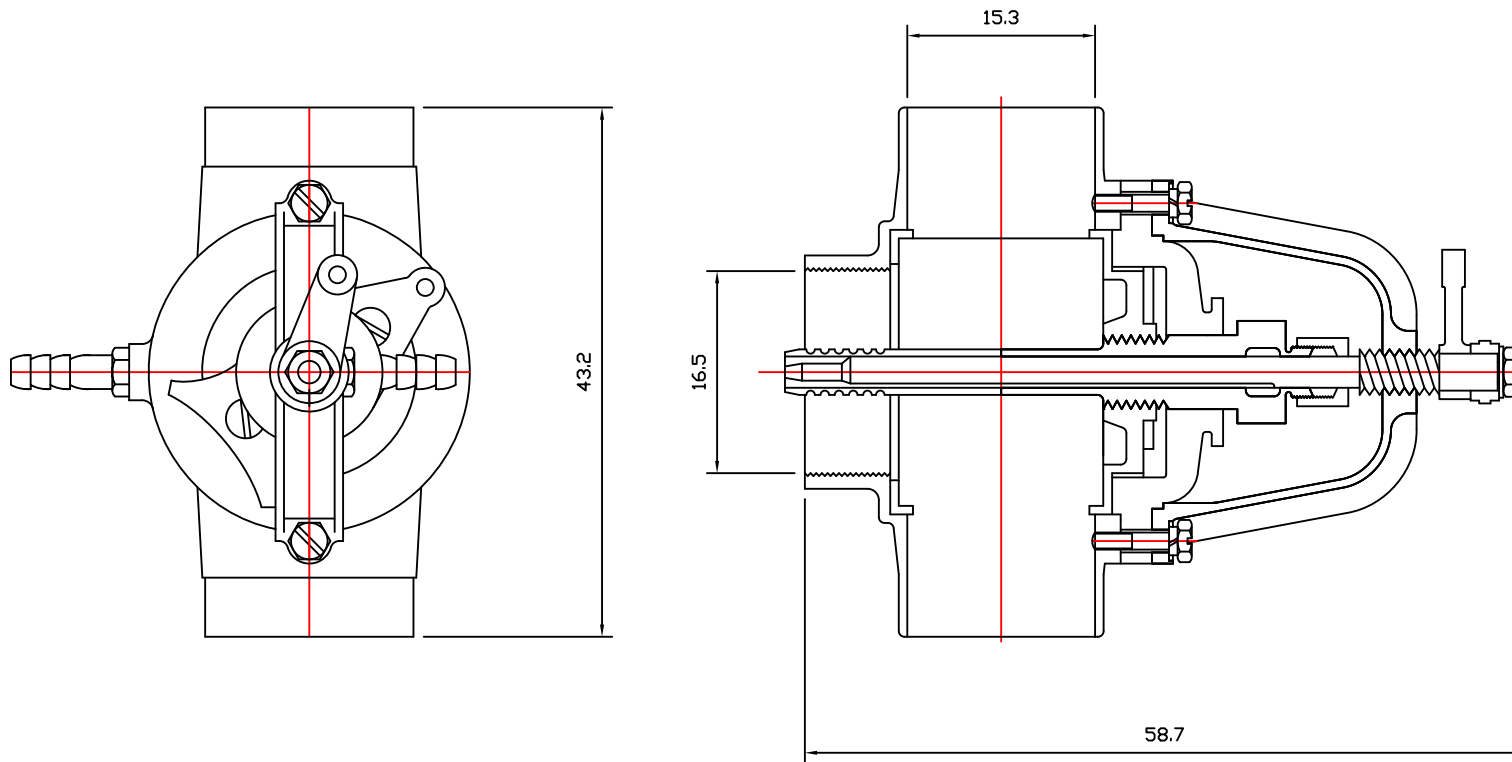


Magneto

Title	Clerget
Drawn	Brian Dolby



Oil Pump



Carburettor

Title	Clerget
Drawn	Brian Dolby