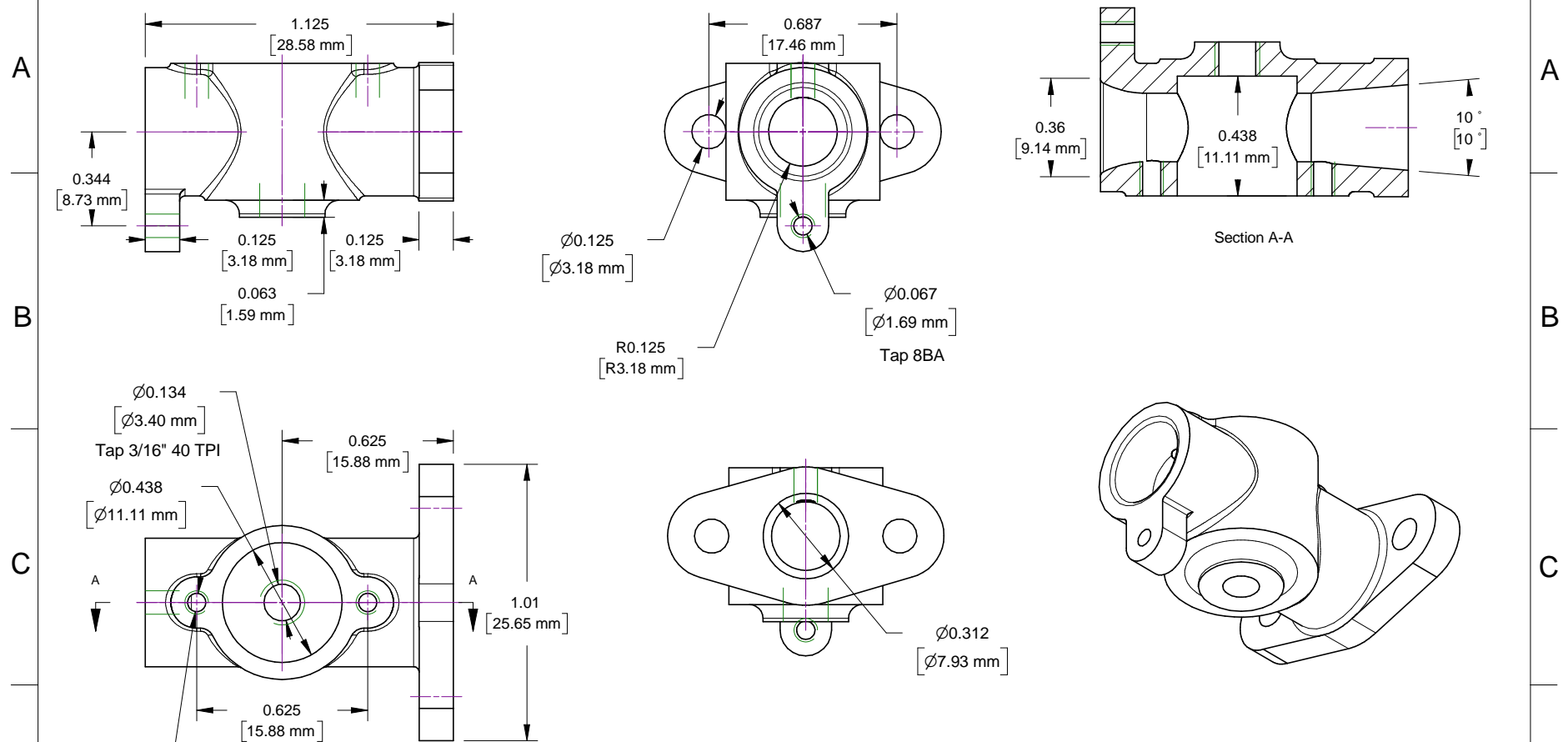


RevNo	Revision note	Date	Signature	Checked



Itemref	Quantity	Title/Name, designation, material, dimension etc			Article No./Reference	
Drawn by Ron C		Checked by	Approved by - date	File name	Date 2007-12-12	Scale
				WP-CA-1	Edition	Sheet

1	2	3	4	5	6